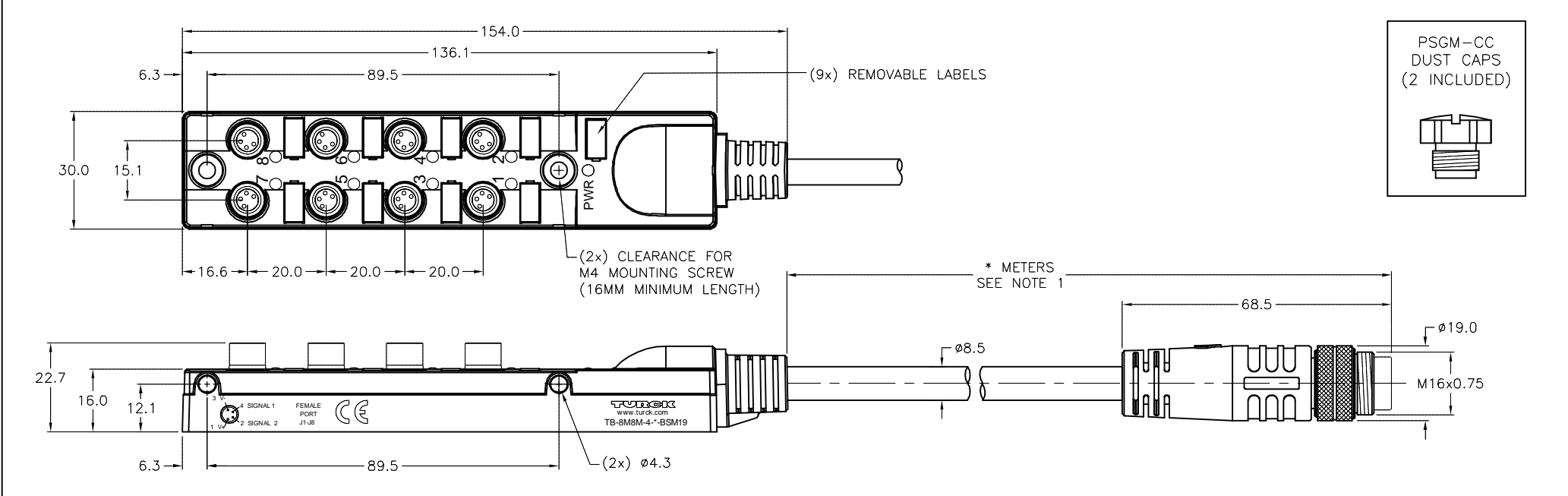


**SPECIFICATIONS**

HOUSING MATERIAL/COLOR	NYLON/BLACK
RECEPTACLE MATERIAL/PLATING	BRASS/NICKEL (J1-J8)
CONTACT CARRIER MATERIAL	NYLON (J1-J8), TPU (P1)
O-RING MATERIAL	FKM/FPM
CONTACTS MATERIAL/PLATING	BRASS/GOLD
MOLDED HEAD MAT'L/COLOR (P1)	TPU/YELLOW
OPERATING VOLTAGE	30 VDC
MOLDED HEAD MAT'L/COLOR (P1)	2.0 A PER SIGNAL/3.0 A TOTAL
PROTECTION CLASS to DIN 40050	IEC IP67 ONLY WHEN ALL RECEPTACLES ARE COVERED WITH PLUGS OR CONNECTED
OPERATING TEMPERATURE	-40°C to +85°C (-40°F to +185°F)
<b>CABLE DATA</b>	
CABLE JACKET MATERIAL/COLOR	PVC/BLACK
CONDUCTOR INSULATION MATERIAL	PVC
NUMBER OF CONDUCTORS	19x22 AWG
MATING CORDSET	BKM 19-995-*



CABLE LENGTH	TOLERANCE*
ALL LENGTHS	+ 4% (OR 50mm) OF LENGTH - 0% (OR 0mm) OF LENGTH WHICHEVER IS GREATER
STRIP LENGTH	TOLERANCE*
0-7mm	±0.5mm
8-29mm	±1.0mm
30-49mm	±2.0mm
50-69mm	±3.0mm
70-100mm	±4.0mm
OVER 100mm	±5.0mm

\* UNLESS OTHERWISE SPECIFIED

NOTES:  
1. "\*" INDICATES CABLE LENGTH IN METERS. CONTACT TURCK TO ORDER SPECIFIC LENGTHS.

SOURCE DRAWING - FOR REFERENCE ONLY

RELATED DOCUMENTS	3RD ANGLE PROJECTION	THIS DRAWING IS CONFIDENTIAL AND THE PROPERTY OF TURCK INC. USE OF THIS DOCUMENT WITHOUT WRITTEN PERMISSION IS PROHIBITED.		3000 CAMPUS DRIVE MINNEAPOLIS, MN 55441 1-800-544-7769 (763) 553-7300 (763) 553-0708 fax www.turck.us	
1.		DRFT	RDS	DATE	12/21/17
2.		APVD	L.F.	SCALE	1=1.5
3.	ALL DIMENSIONS DISPLAYED ON THIS DRAWING ARE FOR REFERENCE ONLY	UNIT OF MEASUREMENT		DESCRIPTION TB-8M8M-4--BSM19	
4.		MILLIMETERS			
MATERIAL	CONTACT TURCK FOR MORE INFORMATION	DO NOT SCALE THIS DRAWING		IDENTIFICATION NO.	REV
SEE SPECIFICATIONS		FILE: 777039477			C
FINISH		SHEET 1 OF 1			

C	ADDED CE	ER	01/14/19	68151
REV	DESCRIPTION	BY	DATE	ECO NO.